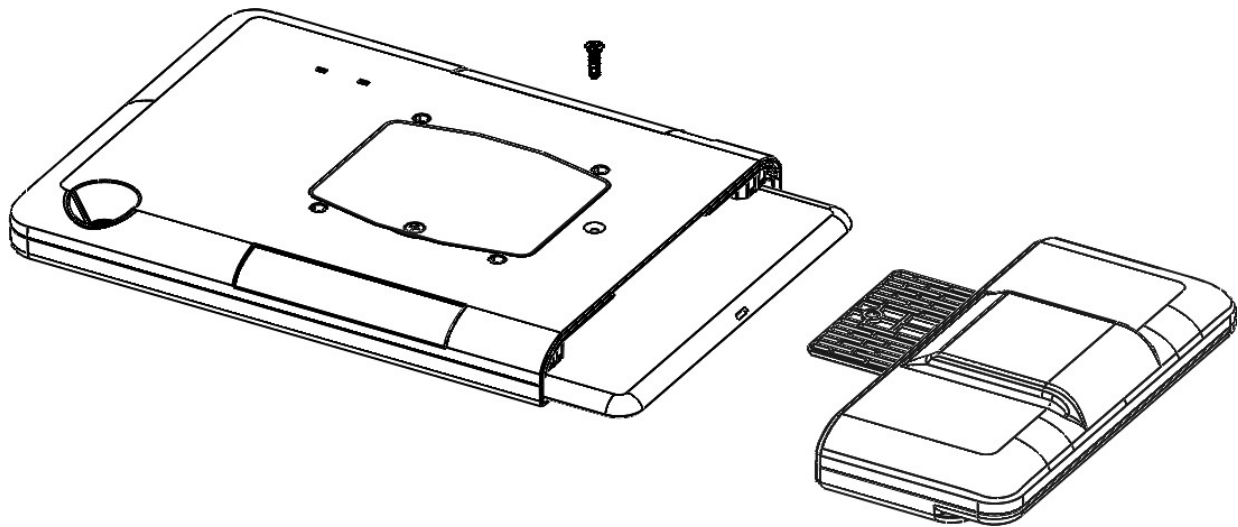




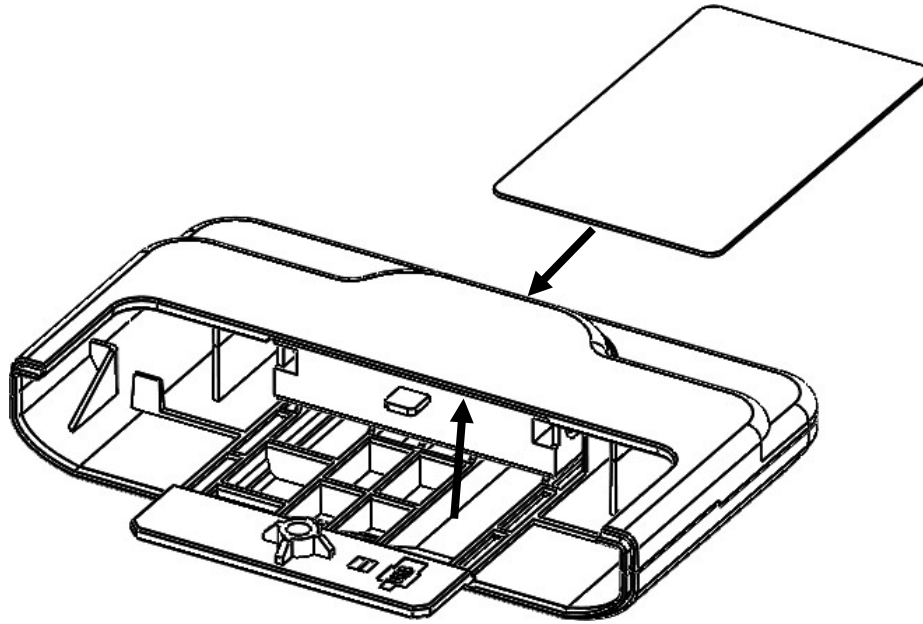
mPULSE Retro Fit Kit

Assembly Instructions

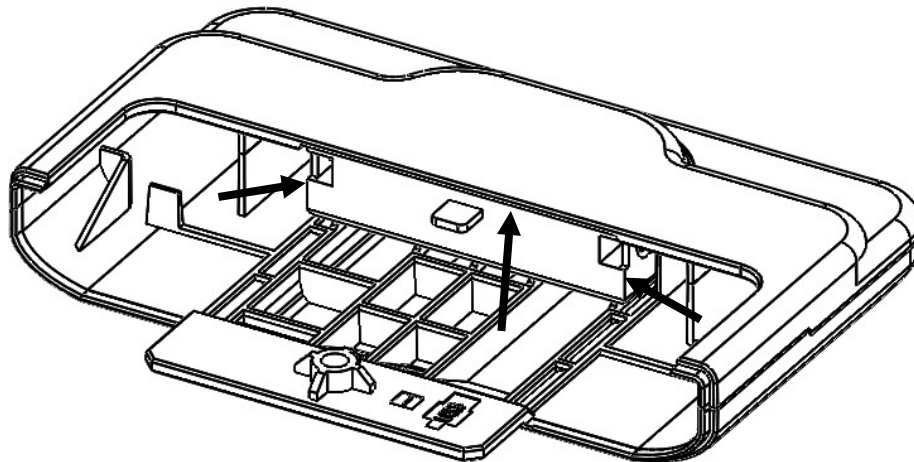
IP09 SHOWN, INSTALLATION TO MINI SIMILAR
ID5 SHOWN, NO CCSIMILAR



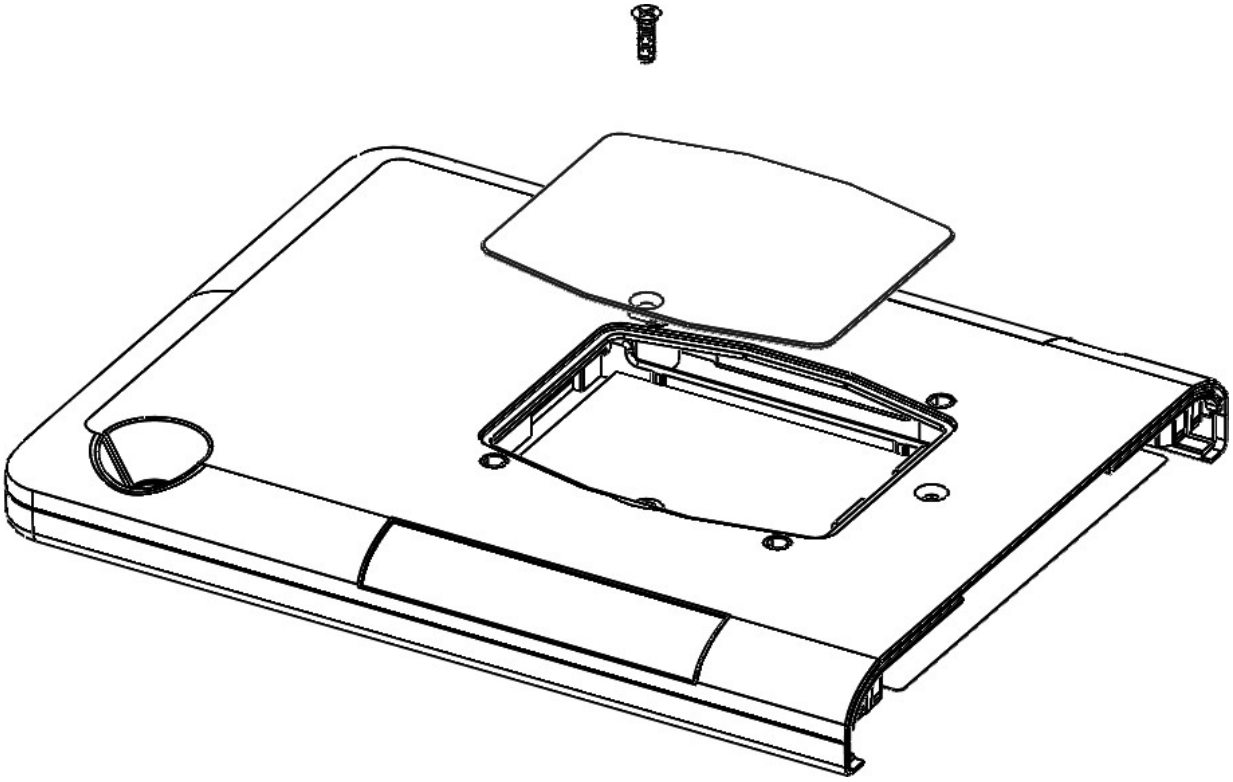
1.) Remove screw, detach head, remove iPad, and remove card reader.



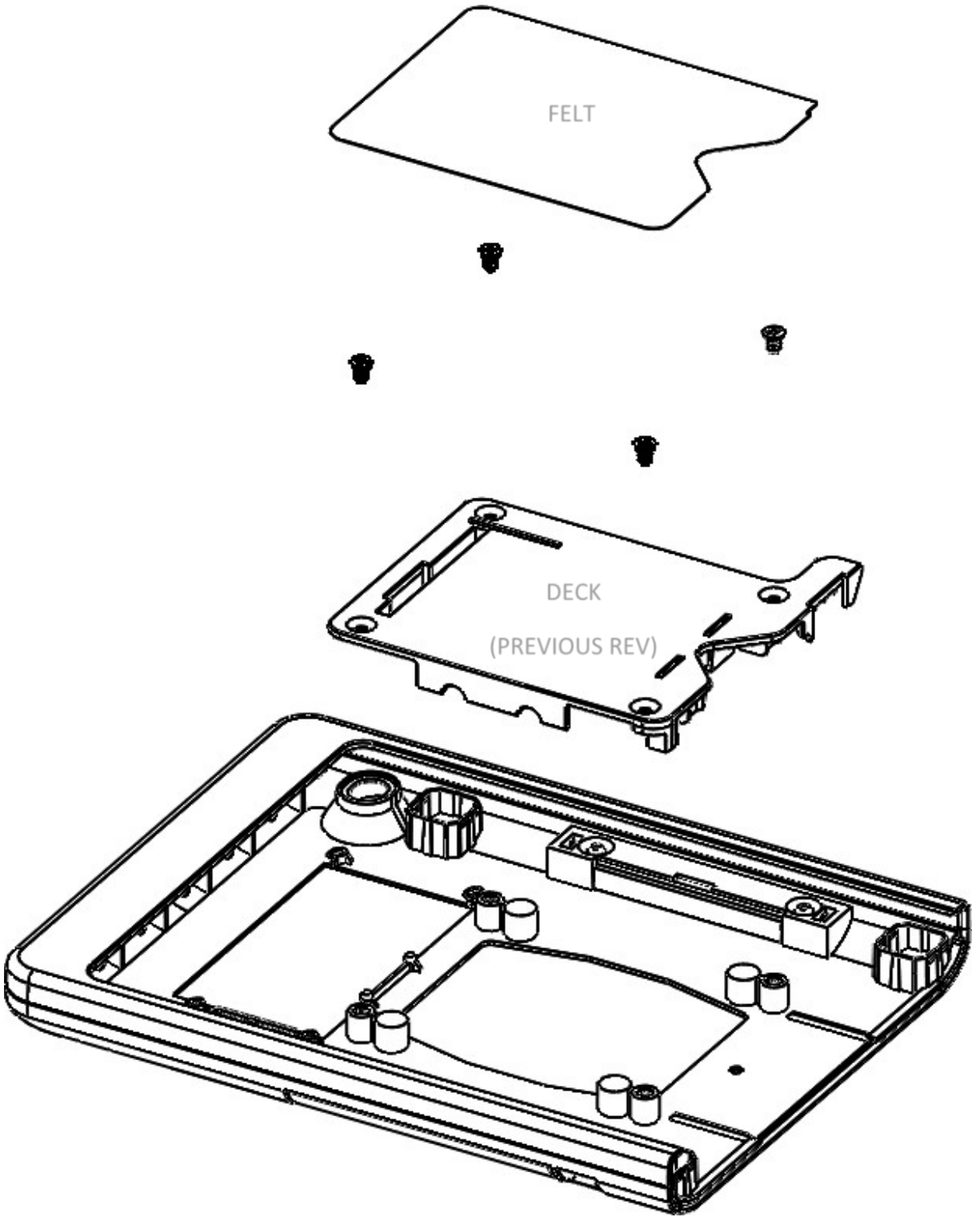
2A.) You can remove the card reader from the ID head by using a credit card and pushing on the card reader from the outside. In addition to pushing with a credit card, try to flex the head up a little from the inside where the arrow is indicating.



2B.) Another way to remove the card reader is to grab the card reader from the sides as indicated by the arrows and pull it out. It is helpful to flex the head up a little from the inside where the arrow is indicating.

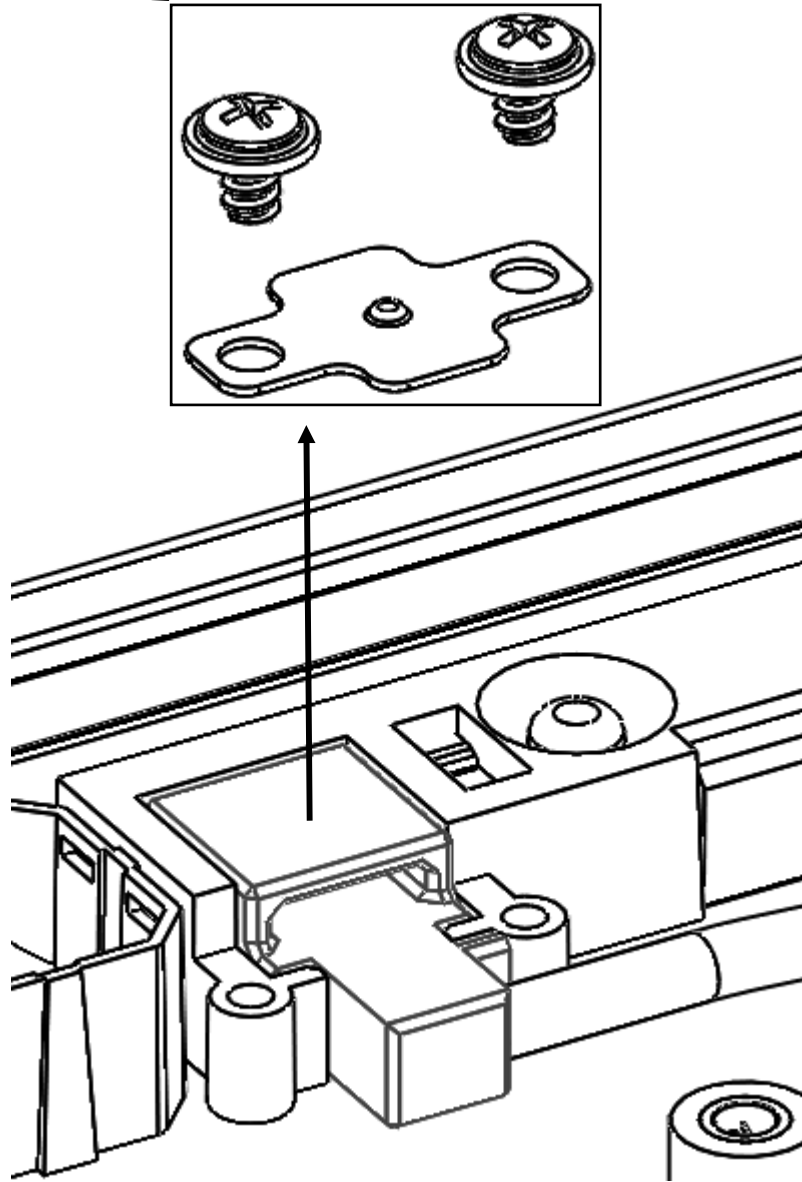


3.) Remove screw and access panel.

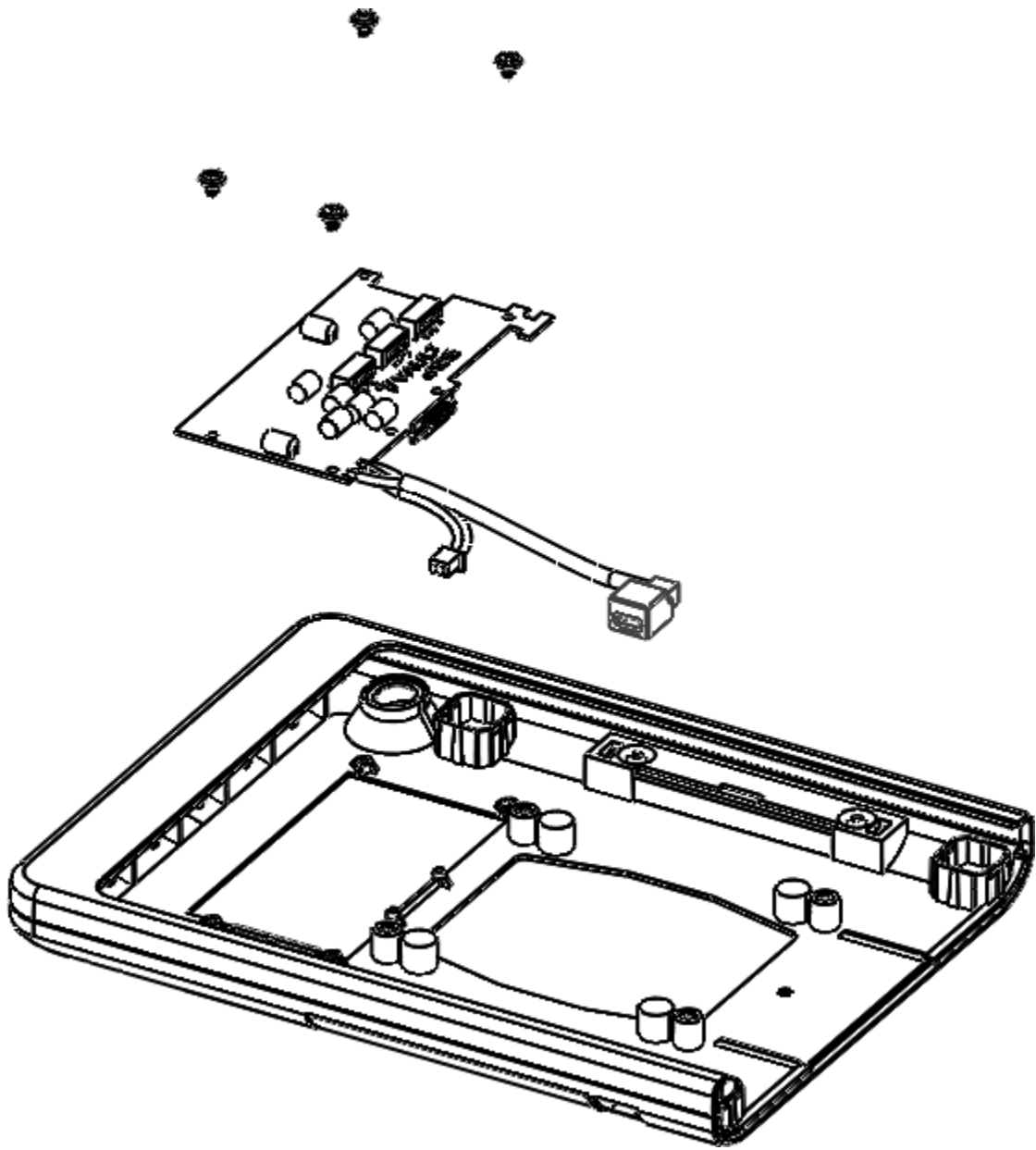


4.) Peel up each corner of the felt to expose and remove the 4 screws in order to take off the Deck.

Remove on IP09 ONLY

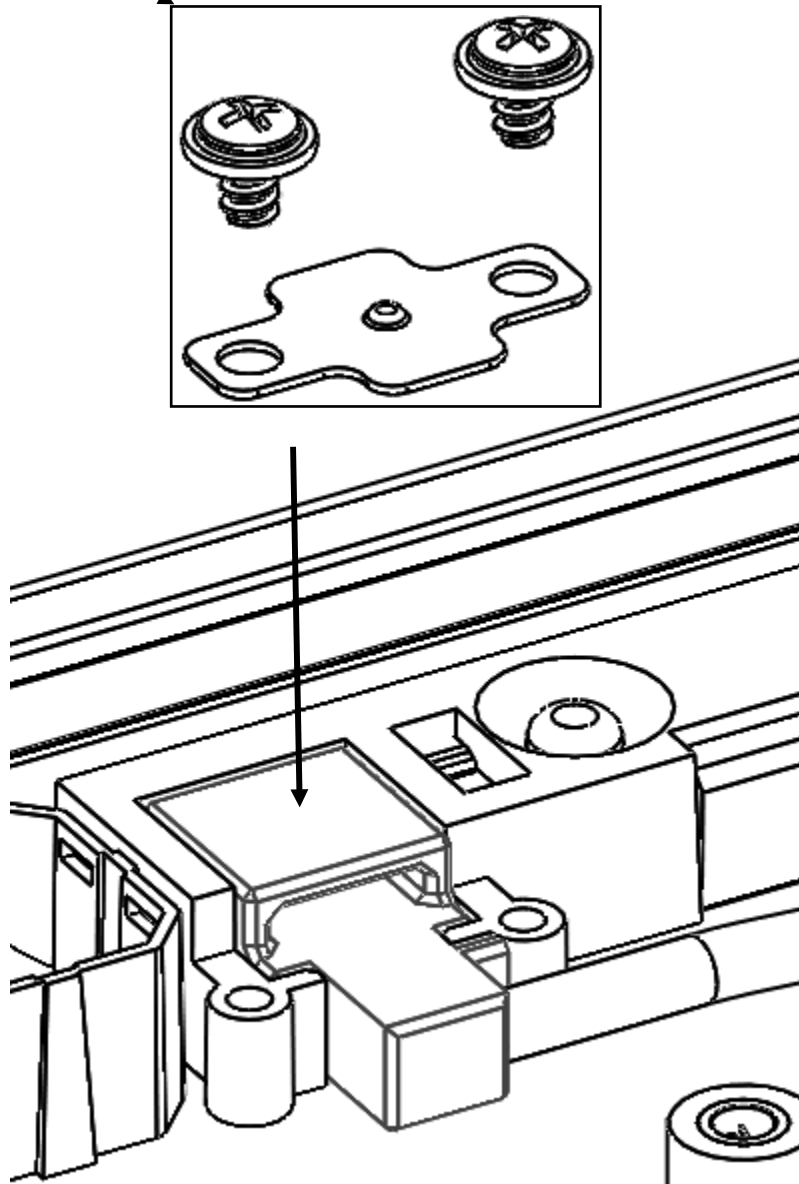


5.) Removing bracket and screws is only done on IP09. Remove cable from the port to allow the cable to be fully uninstalled from the Connect Core.

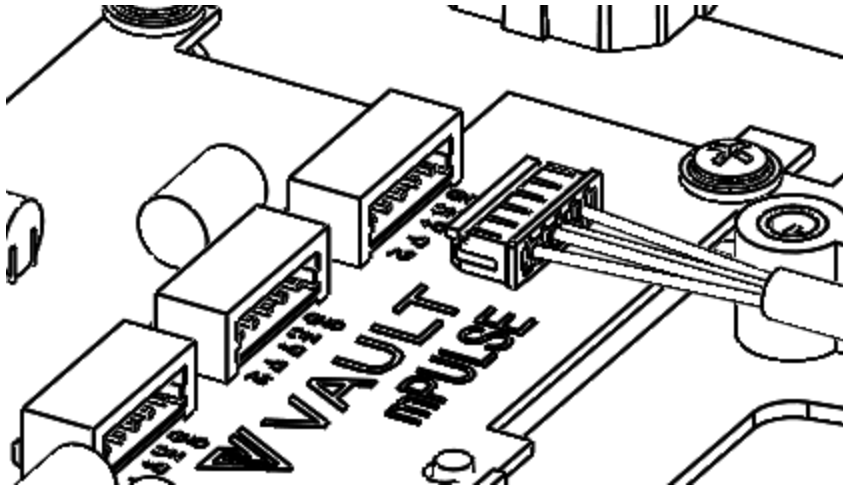


6.) Install mPULSE with screws provided. (MINI uses 3 and IP09 uses 4 screws)

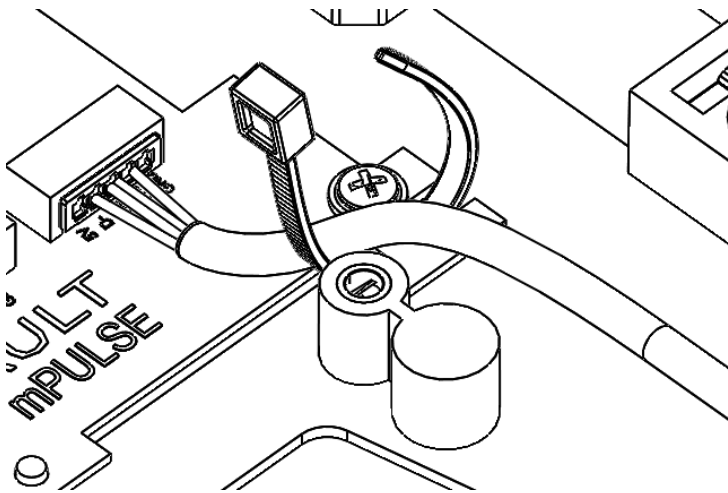
Install on IP09 ONLY



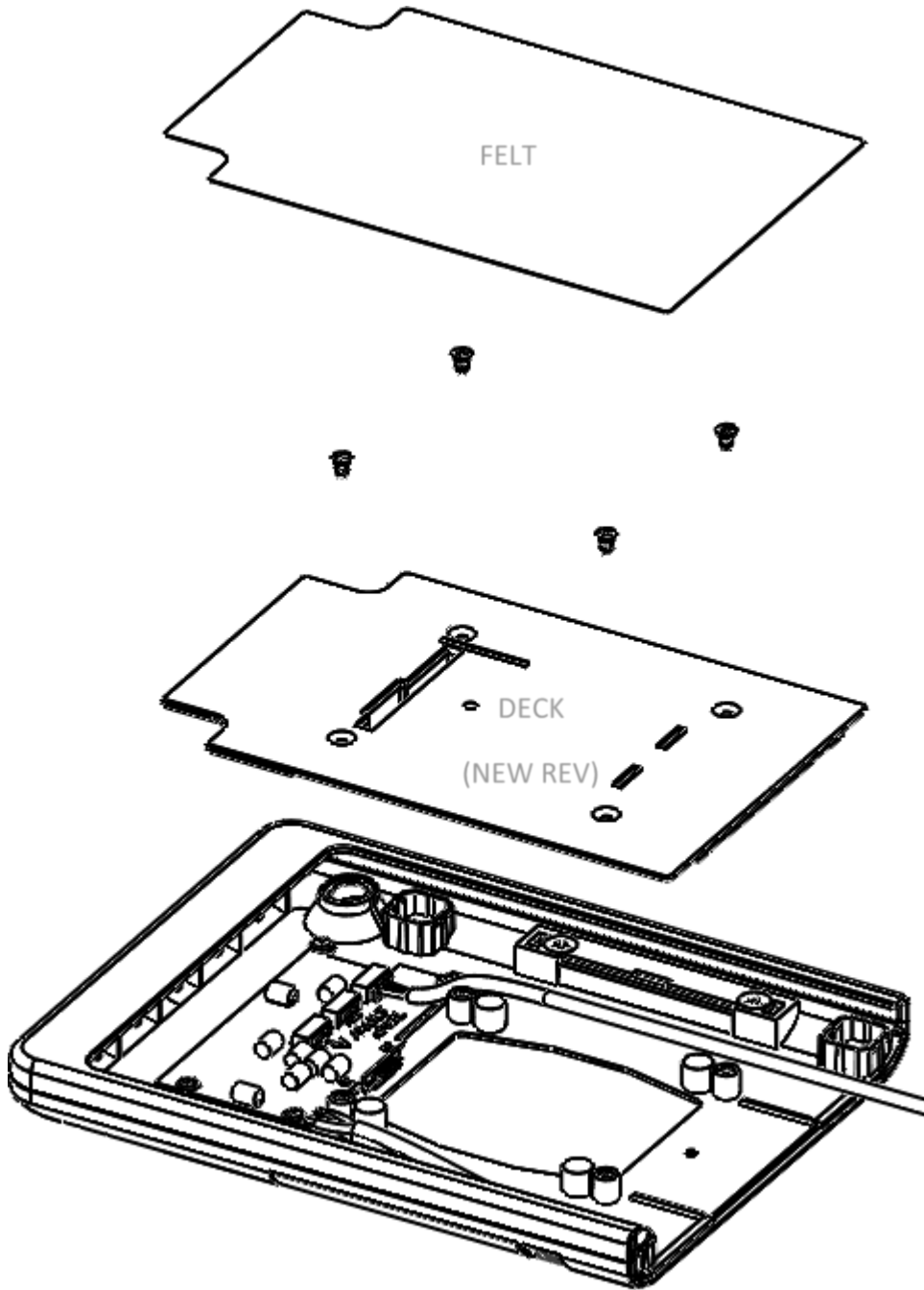
7.) Install cable into port. On the IP09 ONLY secure cable with bracket and screws.



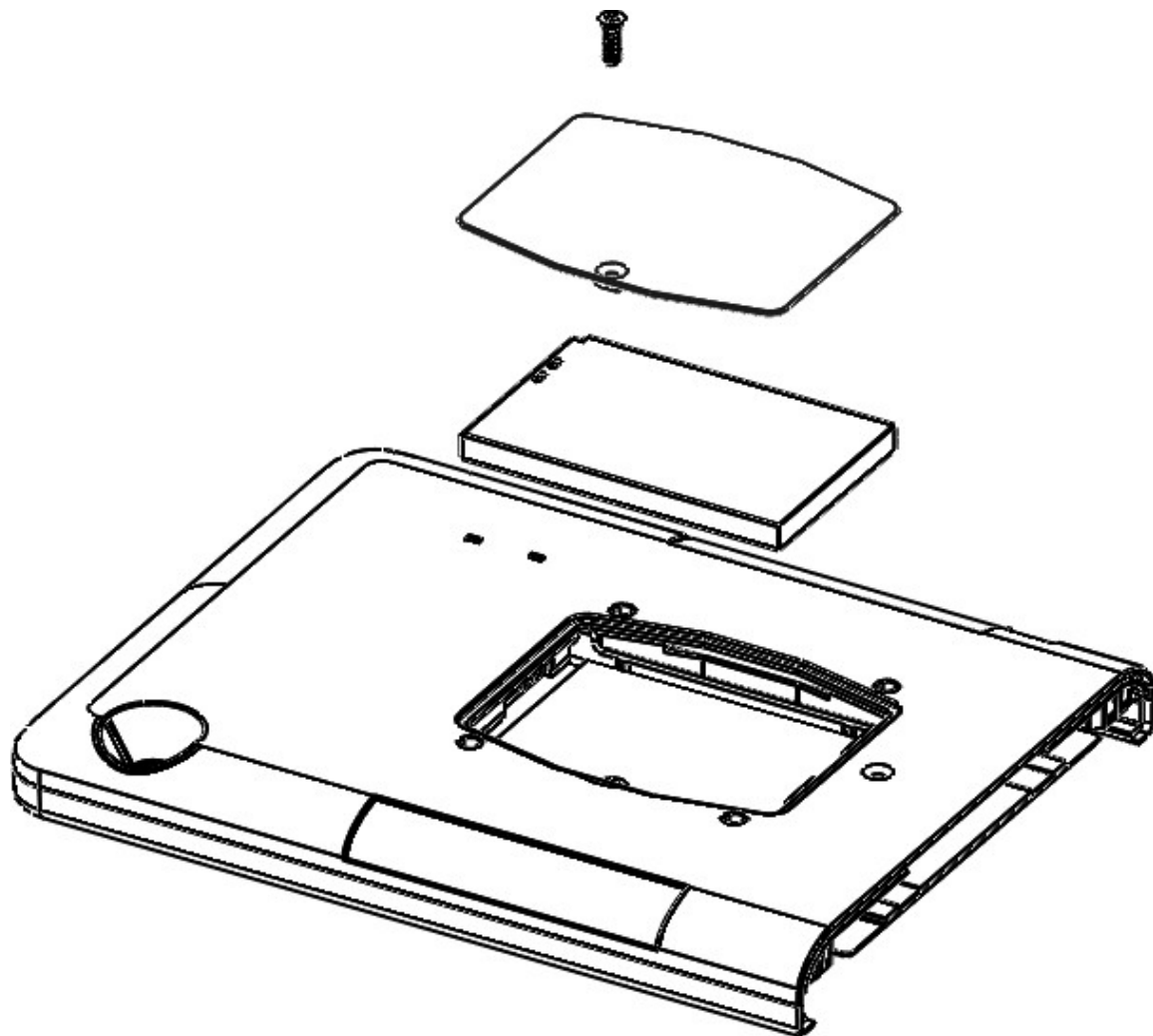
8.) Plug desired cable into the correct port as shown. (The one furthest from the center of the mPULSE.) Both a Lightning and Micro USB cable are included. Install lightning cable if no credit card reader and install Micro USB if there is a credit card reader.



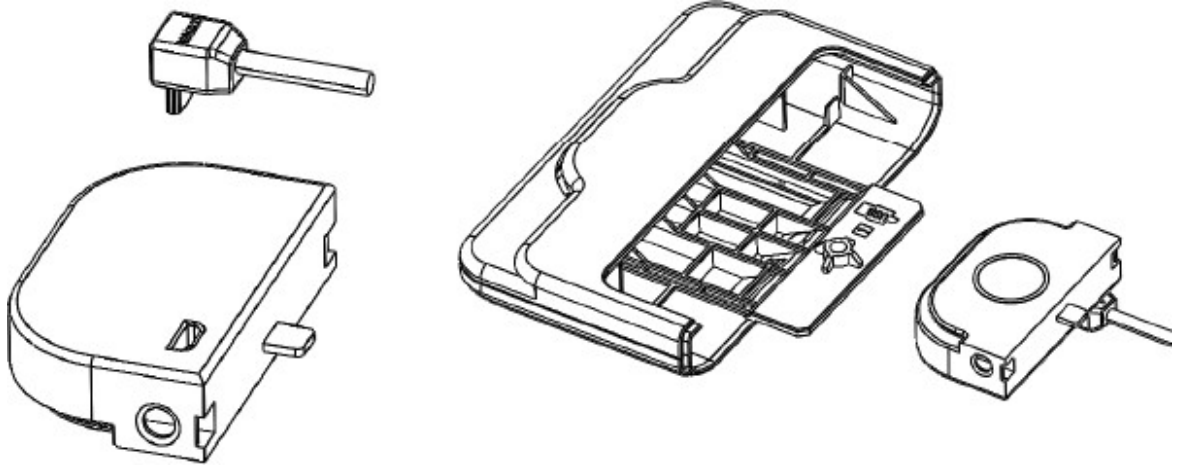
9.) Use the provided zip tie to help properly guide the cable. Tighten the zip tie so that it 's secure and clip any excess off. An extra zip tie is provided.



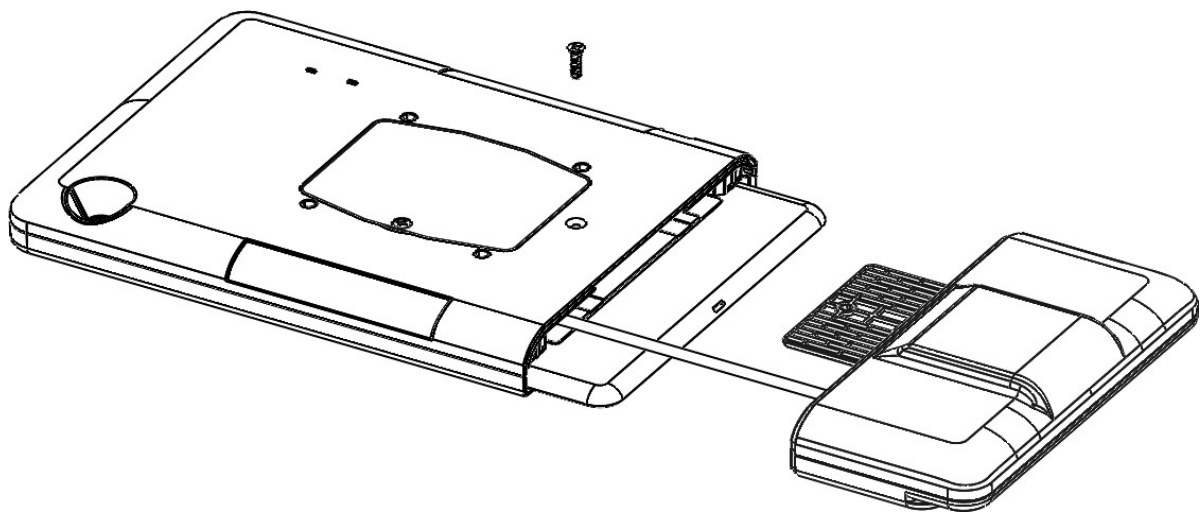
10.) Make sure cable is properly routed as shown. Install new deck using 4 screws and new felt.



11.) Insert battery and install access panel back with screw.



12.) *Cable install for ID5 (Plug lightning cable into iPad if no credit card reader.) Plug cable head into card reader as shown and then insert card reader into the head.



13.) Once the card reader or iPad has been connected to the mPULSE install the head onto the core and use a screw to secure it.